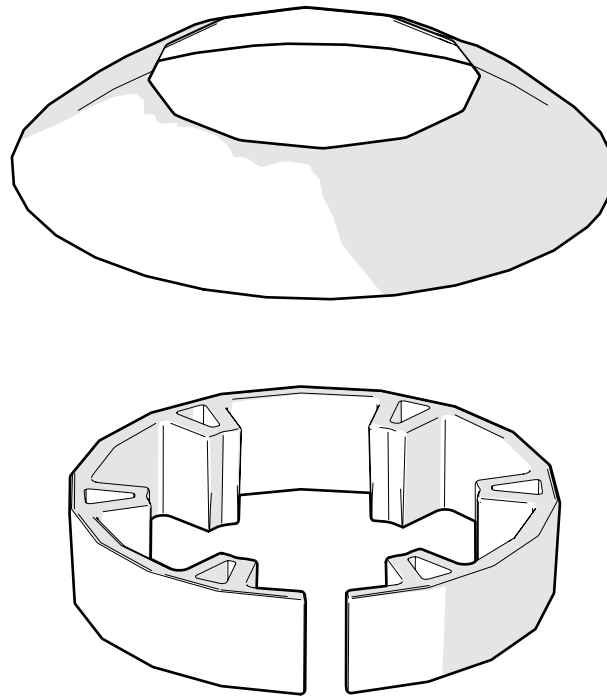




Instruction for mounting of NC-S

The installation instructions apply to Northcone's standard poles NC-S.
For safety pole NC-E see special installation instructions.



Read the entire instruction before mounting.



Do not use sharp tools that can scratch the post.



Metal must never be against metal.



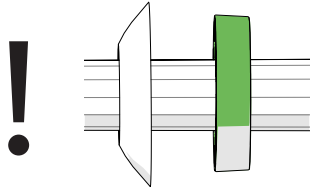
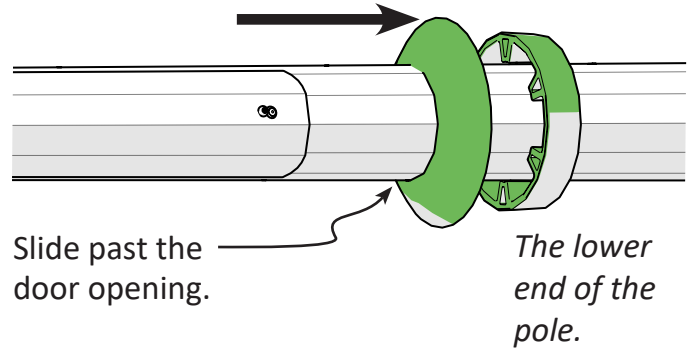
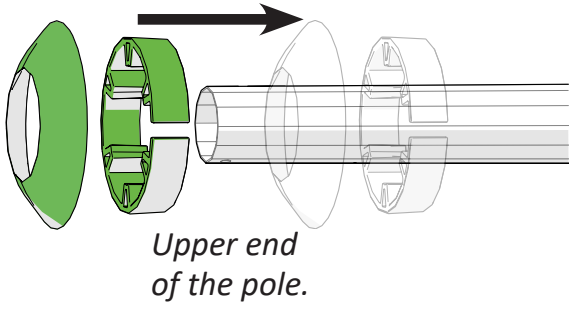
Observe the safety of lifting devices and electrical connections.



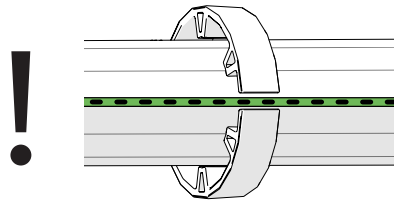
The work may only be carried out by authorized installers.

Instruction for mounting of NC-S

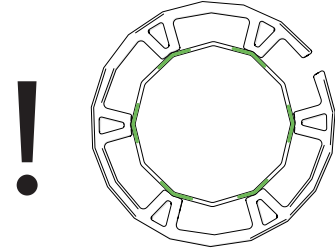
1 Slide on wedge ring and cover.



Wedge ring tapered downwards.

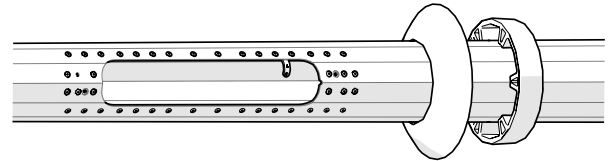
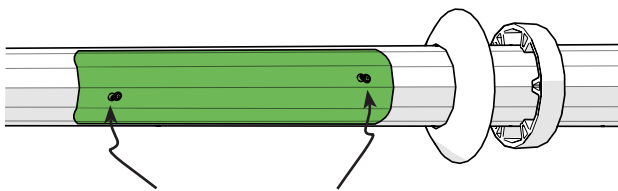


Opening directly over the weld.



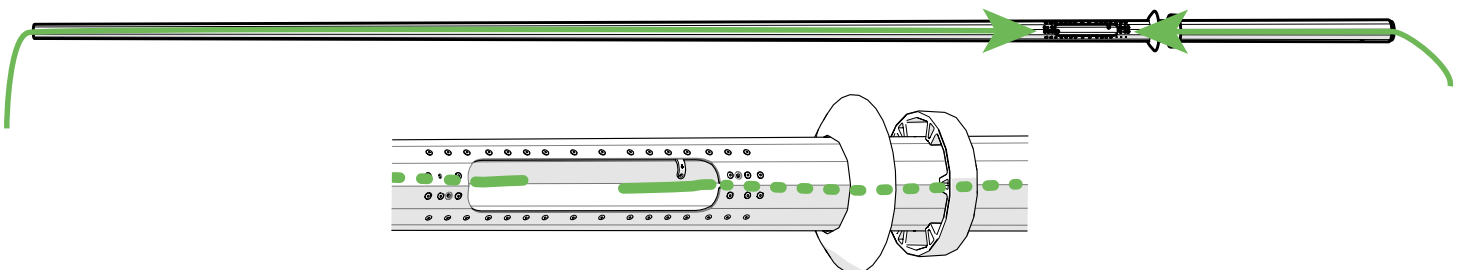
The wedge ring should ride on the corner of the post.

2 Open the door.



3 Pass through wiring.

! Observe cable length if arm on the post is used or not.

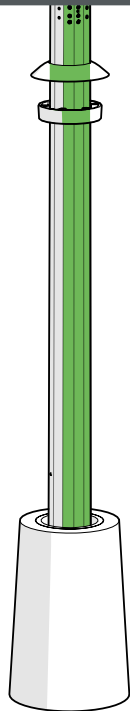


4 Install and connect the luminaire according to the luminaire instructions.



- It is important that the luminaire is mounted in the correct direction in relation to the hatch opening and the roadway. See point 5.

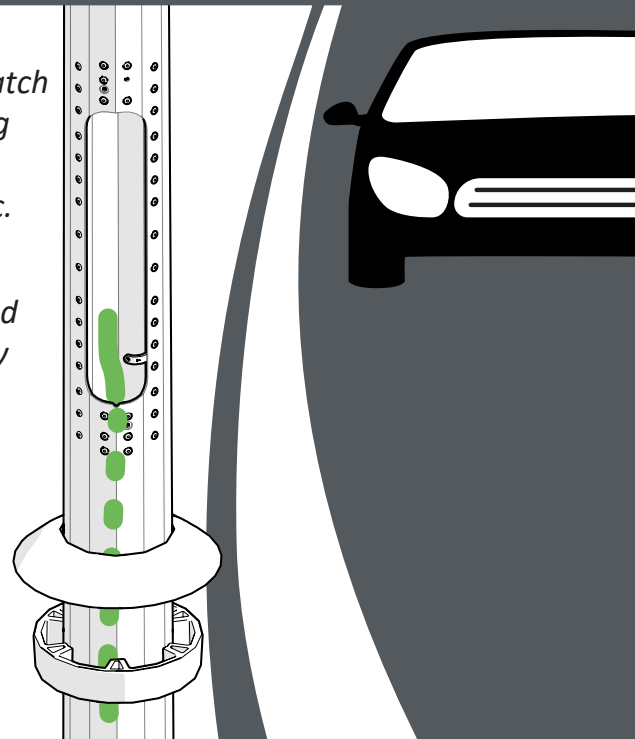
5 Lift down the post in the foundation.



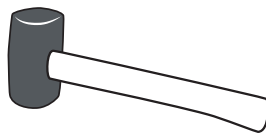
- Be careful not to damage the wiring.

- Note that the hatch opening is facing away from oncoming traffic.

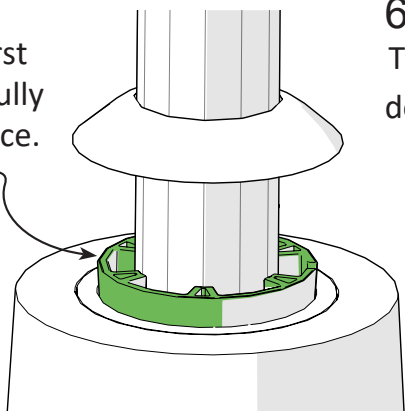
- Route the ground cable all the way up to the hatch opening.



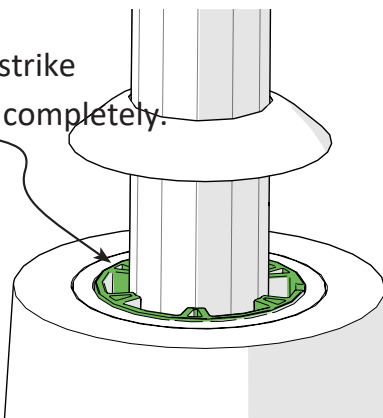
6 Fold down the wedge ring with a rubber mallet.



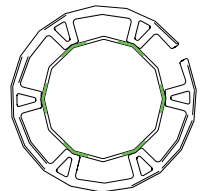
6:1 Hit first carefully in place.



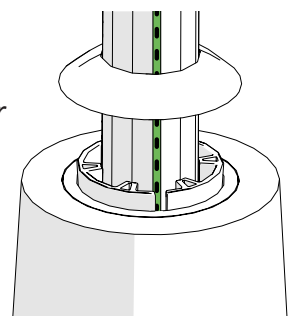
6:2 Then strike down completely.



- The wedge ring should ride on the corner of the pole.



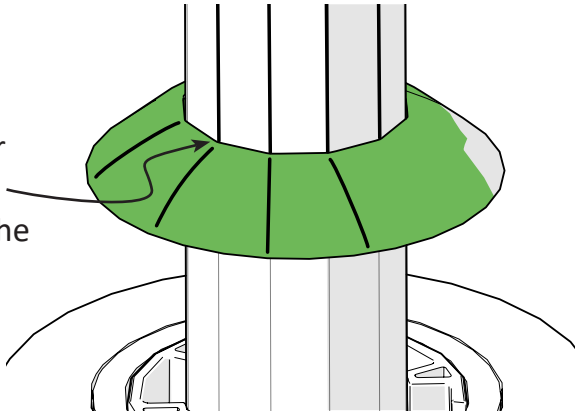
- Opening directly over the weld.



7 Lower the cover.

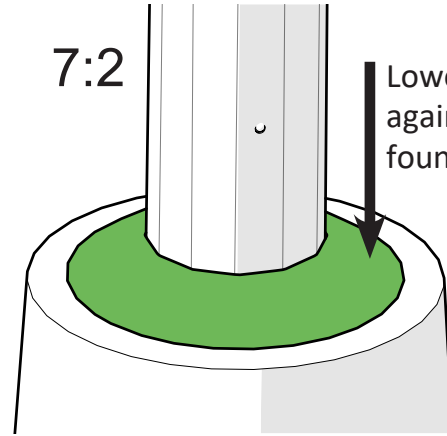
7:1

Place the cover
correctly over
the corner of the
pole.

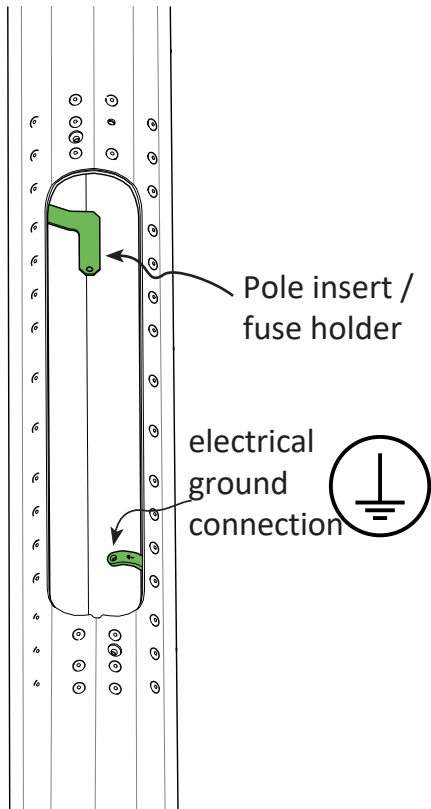


7:2

Lower the cover
against the
foundation.



8 Install the electrical components at the connection points.



9 Close the hatch.

