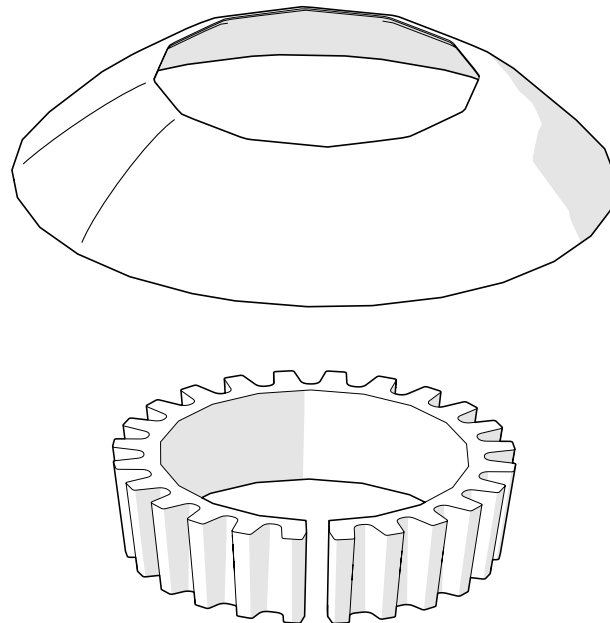


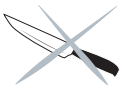


Instruction for mounting of NC-E

The installation instructions apply to Northcone's standard poles NC-E. For safety posts NC-S see special installation instructions.



Read the entire instruction before mounting.



Do not use sharp tools that can scratch the pole.



Metal must never lie against metal.



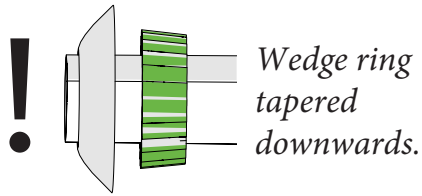
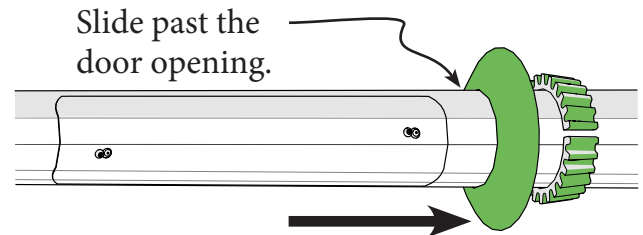
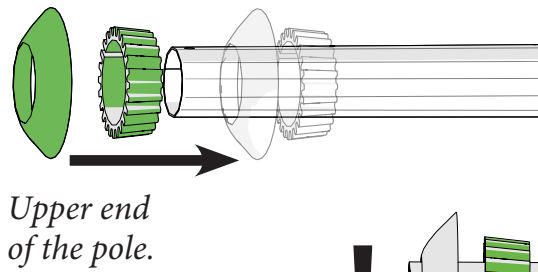
Observe the safety of lifting devices and electrical connections.



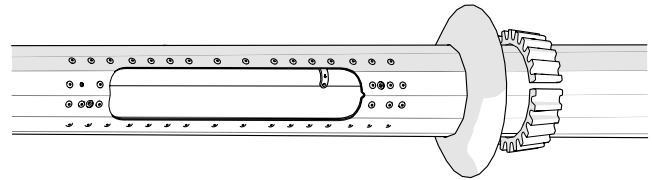
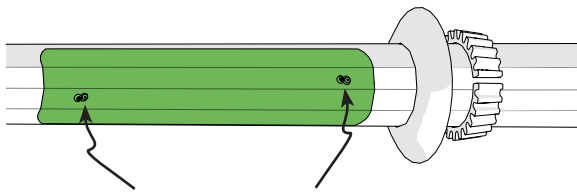
The work may only be carried out by authorized installers.

Instruction for mounting of NC-E

1 Slide the wedge ring and cover.

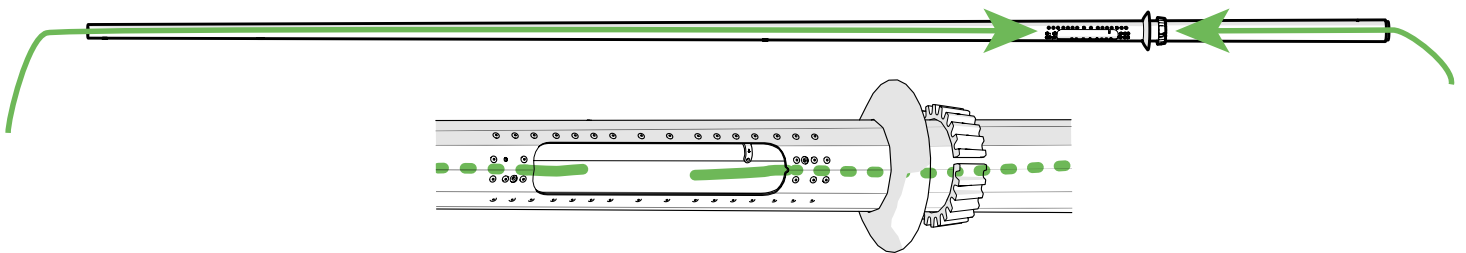


2 Open the hatch.



3 Pass through cables.

! Observe cable length if arm on the post is used or not.



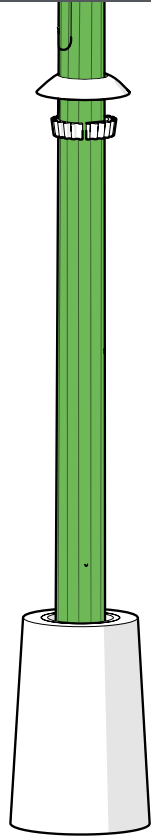
4 Install and connect the luminaire according to the luminaire instructions.



! It is important that the luminaire is mounted in the correct direction in relation to the hatch opening and the roadway. See point 5.

Instruktion för montering av NC-E

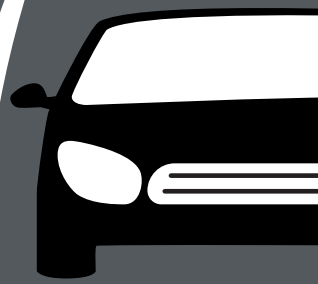
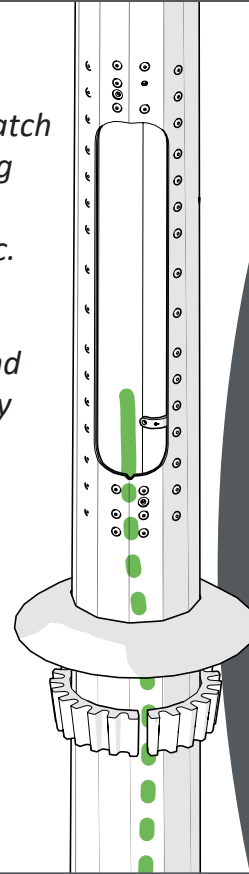
5 Lift down the pole in the foundation.



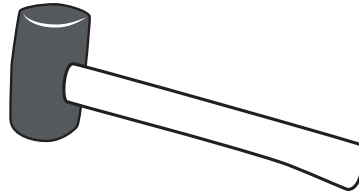
! Be careful not to damage the wiring.

! Note that the hatch opening is facing away from oncoming traffic.

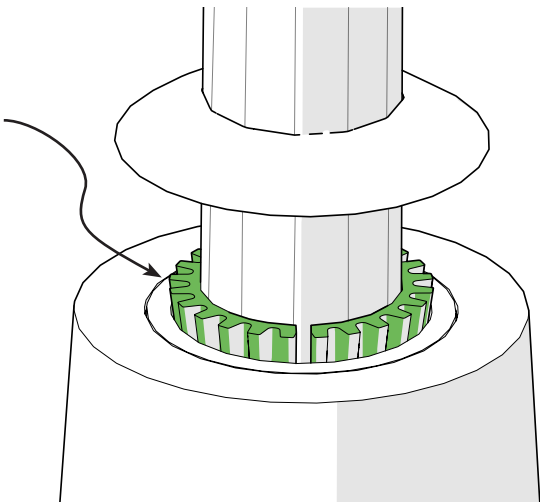
! Route the ground cable all the way up to the hatch opening.



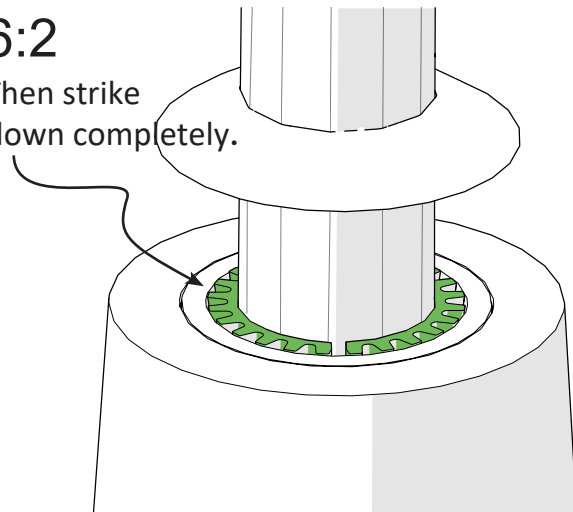
6 Fold down the wedge ring with a rubber mallet.



6:1
Hit first carefult in place.



6:2
Then strike down completely.

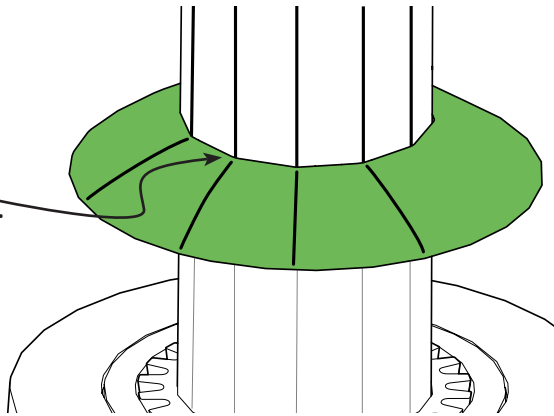


Instruction for mounting of NC-E

7 Lower the cover.

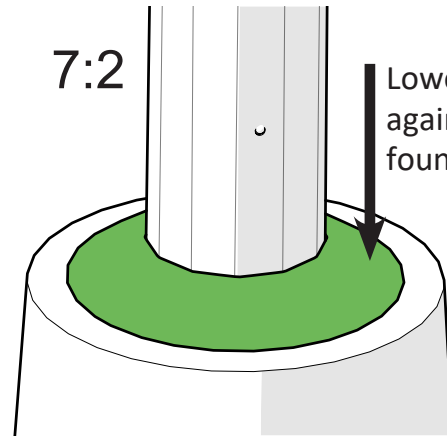
7:1

Place the cover correctly over the corner of the post.

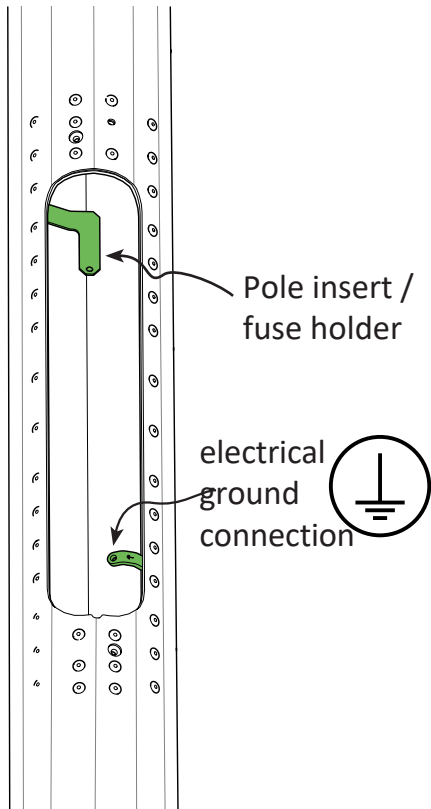


7:2

Lower the cover against the foundation.



8 Install the electrical components at the connection points.



9 Close the hatch.

