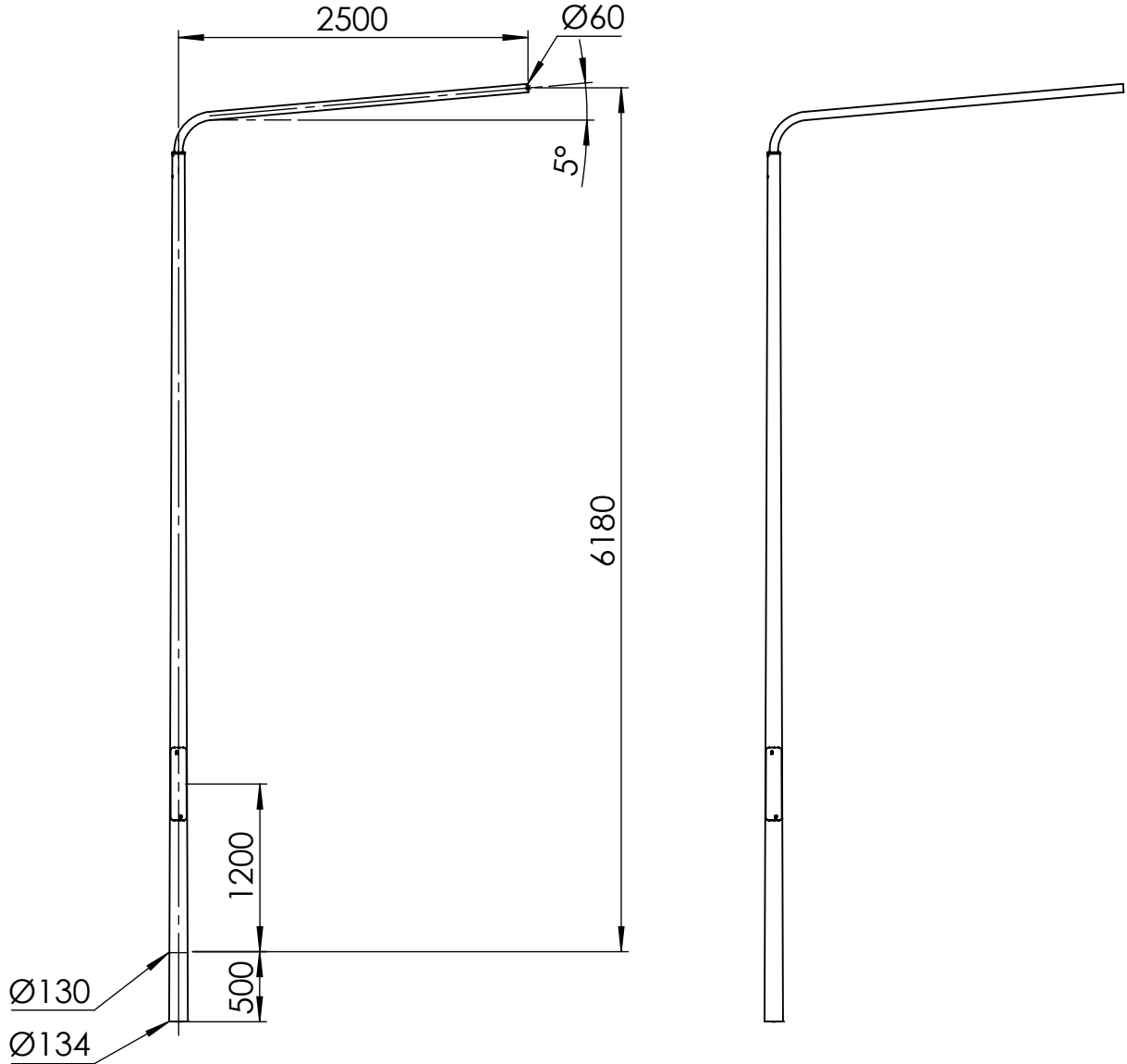


REV.	DESCRIPTION	CHANGE BY	CHANGE DATE	APPROVED	DATE

The reproduction, distribution, and utilization of this document as well as the
 communication of its contents to third parties without the written permission is
 prohibited. Offenders will be held liable for the payment of damages.
 All rights reserved in the event of the grant of a patent, utility model or design.



Sheet	Scale	View	General tolerance ISO 2768	Surface treatment / Heat treatment	Weight in kg 47.13		
A4	1:50		General roughness Ra	Description EX60 E25 E-nummer: 77 717 93			
			Designed 2021-09-15 BAr			1	
			Checked 2021-09-15 PLa				
			Approved 2021-09-15 PLa				
Notes			Drawing number 01-01680	Sheet 1 of 1	Revision Released A		

A

B

C

D