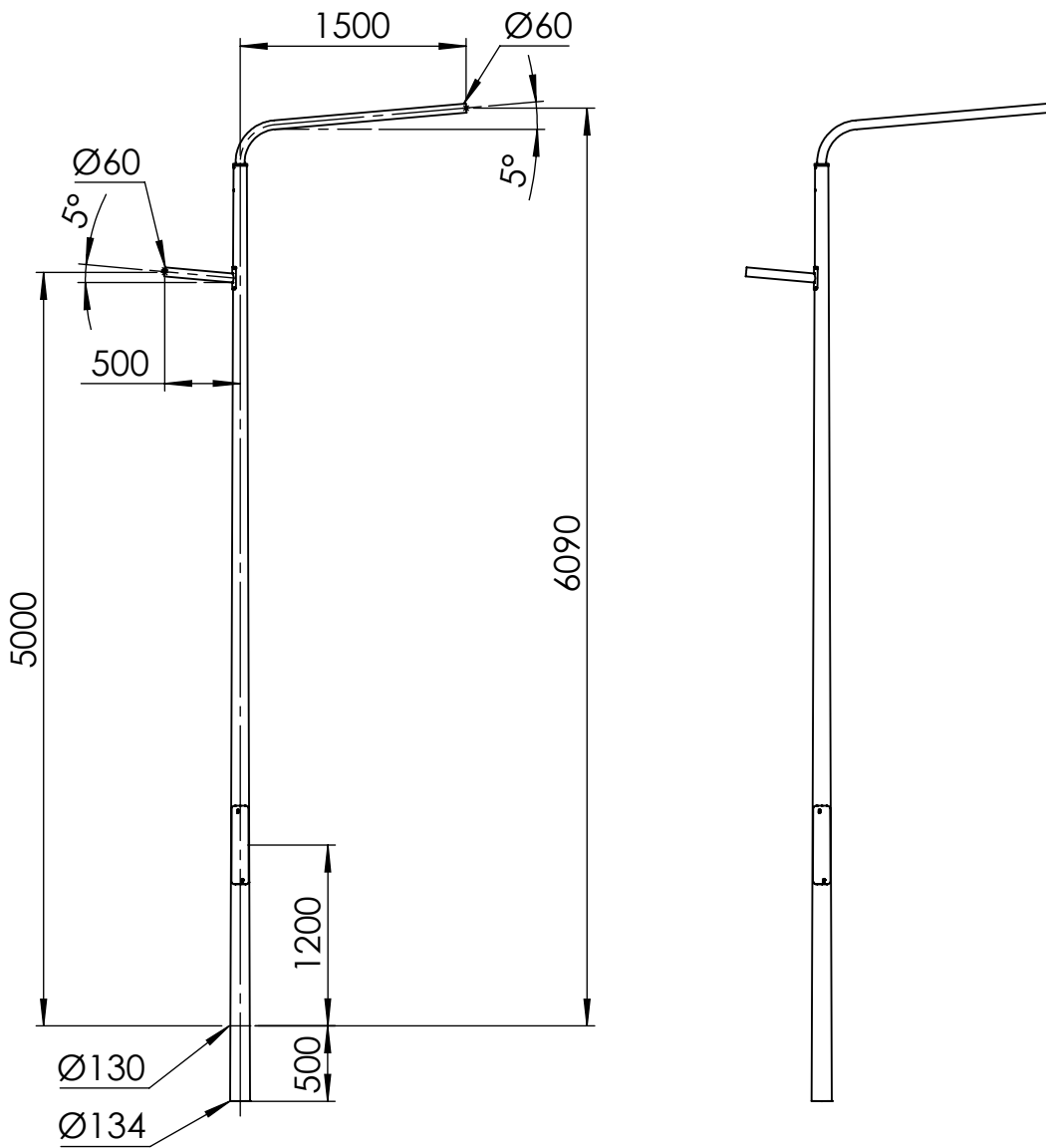


REV.	DESCRIPTION	CHANGE BY	CHANGE DATE	APPROVED	DATE



The reproduction, distribution, and utilization of this document as well as the communication of its contents to third parties without the express written permission is prohibited. Offenders will be held liable for the payment of damages. All rights reserved in the event of the grant of a patent, utility model or design.

Sheet	Scale	View	General tolerance ISO 2768	Surface treatment / Heat treatment	Weight in kg 45.15	
A4	1:50		General roughness Ra	Description EX60 E15 GC E-nummer: 77 713 98		
			Designed 2021-11-02			BAr
			Checked 2021-11-16			PLa
			Approved 2021-11-16			PLa
Notes			Drawing number 01-01139	Sheet 1 of 1	Revision Released A	

A

B

C

D

6

5

4

3

2

1